



Make It Easy



JOYU1
Customer Interface Unit

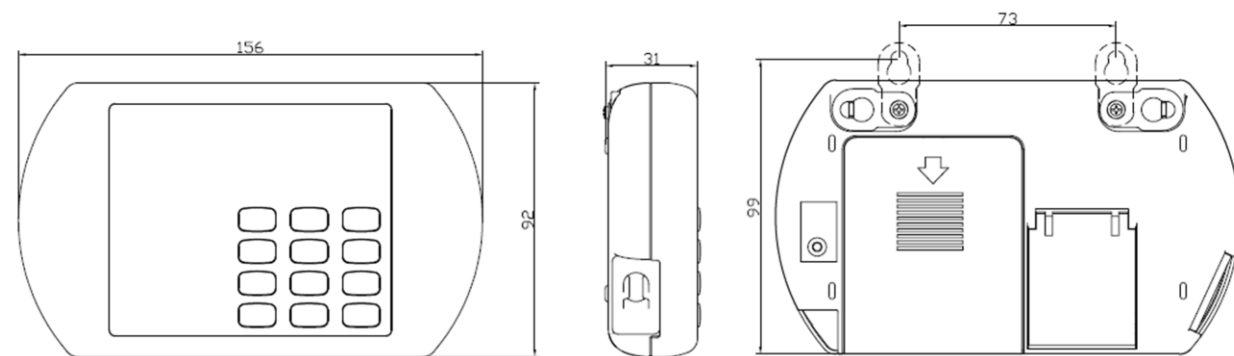
DESCRIPTION

JOYU1 is a compact customer interface unit with friendly keypad and display. It can be installed in any convenient location inside the house by free standing or wall mounting.

With PLC module inside, JOYU1 is able to communicate with the meter without any wiring but only needing a socket with AC power or lithium batteries. As it operates independently with the meter, JOYU1 is immune to any form of tampering.

FEATURES

- ▶ Enlarged LCD
- ▶ Rubber keypad
- ▶ Operation with audible buzzer and text feedback
- ▶ LED indication of low credit and pulse
- ▶ Adjustable audio and visual low credit warning level
- ▶ Option of AC power or alkaline or lithium batteries
- ▶ Optional power plug types
- ▶ Dual power supply
- ▶ Automatic reconnecting when communication failure
- ▶ Compatible with various PLC electricity meters



TECHNICAL SPECIFICATIONS

Item	Parameters
Application Range	Compatible with JOY121 MP, JOY211 MP, JOY311 MP, etc.
Working Voltage	230V, 4 AAA batteries are reserved when power supply off
Operating Range	70% to 130% of Un
Frequency Range	50/60Hz
Communication Type	PLC
Communication Distance	>200m
LCD	8 digits+icons+2 digits (index) Size: 70mm x 30mm
LCD Displays	Synchronize automatically with the connected electricity meter
Pulse LED	Synchronize automatically with the connected electricity meter
Credit LED	Low credit alarm with blinking
Buzzer	Feedback on key press Token accept or reject Low credit alarm
Installation	Indoor wall-mounted
Insulation Class	Double insulation
Operating Temperature	-30°C~60°C
Storage Temperature	-40°C~70°C
Relative Humidity	≤95%; annual mean 75%
User Interface	12 keys, international outlay standard with 0-9 numeric key, backspace and enter key Anti-oxidative gold plated keypad
Multiple CIU Location	Free standing or wall mounted
Connection Type	Power line cable with customized plugs
IP Rating	IP51
Product Life	15 Years
Weight	106g
Dimension	156mmx92mmx31mm