



Make It Easy



JOYS500W

MEC Water Meter

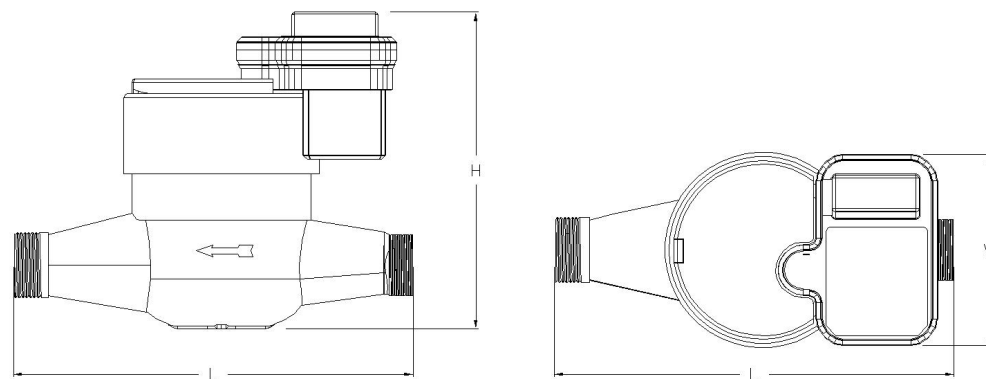
DESCRIPTION

Joy's new generation MEC (Mechanical to Electronic Converter) remote reading water meter adopt advanced non-magnetic sensor technology. By adding a clip-on communication module on a traditional mechanical water meter which assembled with a non-magnetic steel disc, it makes very easy for installation, modification, updating and various parameter configurations in different occasions.

JOYS500-MEC supports multi-communication ports, such as M-Bus and LPWAN (LoRa, NB-IoT), for user collecting and updating data in field by using JOY SaaS platform. Via the combination of advanced data collection and management system, Joy can help to achieve a better application of meter data for water utilities, and use for various support which can make water supply and billing more efficient.

FEATURES

- ▶ Battery powered with a lifetime up to 10 years
- ▶ Signal acquisition accuracy 1L
- ▶ Protection up to IP68
- ▶ Automatic events recording and reporting
- ▶ Optional meter body material
- ▶ Anti-magnetic protection and records
- ▶ Optical communication available
- ▶ Real-time anomaly monitoring



TECHNICAL SPECIFICATIONS

Item	Parameter		
Diameter, mm	DN15	DN20	DN25
R(Q3/Q1)	100		
Q3, m³/h	2.5	4.0	6.3
Q4, m³/h	3.125	5	7.875
Q1, m³/h	0.031	0.050	0.063
Connection	G¾B	G1B	G1¼B
Length, mm	165	195	225
Height, mm	135	140	145
Width, mm	91		
Max Reading	99999.9999m³		
Flow Sensor Type	Multi-jet, Wet		
Flow Sensor Material	Cast Iron (Brass optional)		
Temp. Class	T30, T90		
Pressure Loss	ΔP63		
Sensitivity to Irregularity	U10/D 5		
Max. Working Pressure, MPa	1.0		
Installation Direction	Horizontal		
Accuracy	Class 2		
Environmental Classification	O		
Electromagnetic Environment	E1		
Date Storage	36 months		
Power Supply	DC 3.6V Battery, 10+1 years lifetime		
Static Consumption	<20µA		
Communication Interface	IrDA, M-Bus, LoRa or NB-IoT		
Protection Class	IP65/IP68		
Ambient Temp.	5~55 °C		
Storage Temp.	-20~60 °C		
Communication	M-Bus	500m	
	LoRa	470MHz and other ISM band(Customized)	
	NB-IoT	B3, B5, B8	
Standard	Meter Standard	ISO4064, OIML R49, EN14154	
	Communication Standard	CJ/T188/(EN 1434 Mbus)	